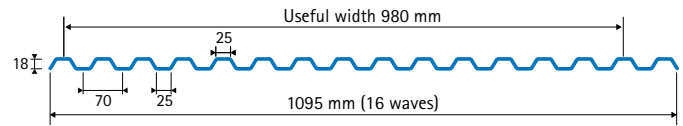


## Technical data

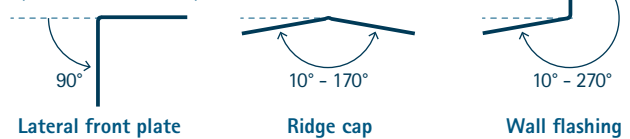


|   |                   |         |
|---|-------------------|---------|
| Length                                  | mm                | 2 000   |
| Width                                   | mm                | 1 095   |
| Useful width                            | mm                | 980     |
| Wave height                             | mm                | 18      |
| Profile pitch                           | mm                | 70      |
| Nominal thickness                       | mm                | 0,7     |
| Weight                                  | kg/m <sup>2</sup> | 1,2     |
| Fire classification                     |                   | B s1 d0 |
| Mechanical tensile strength (DIN 53488) | kJ/m <sup>2</sup> | 1 200   |
| Maximum gap between the supports        | mm                | 1 100   |
| Minimum pitch                           | %                 | 15      |

## The universal accessory

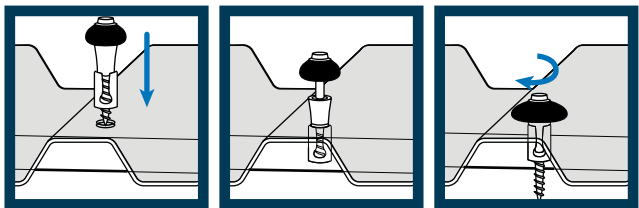
Ridge cap / corner flashing cap / front plate in PVC, thickness: 2 mm, 150 x 150 x length: 1 200 mm, foldable from 90° to 270°, depending on the pitch and shape of the roof.

Overlap between the front plates: 100 to 300 mm.



## Fixings

The sheets and accessories are fixed using stainless steel screws with an integrated spacer. Ensure you always pre-drill the sheets and corner flashing caps / ridge caps with a 10 mm diameter drill.



## Distribution of fixings



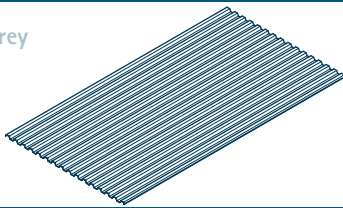
## RENOLIT ECOTOP

### System components

#### ECOTOP GRECA 70x18 white or grey

Opaque roofing sheets in bi-stretched PVC

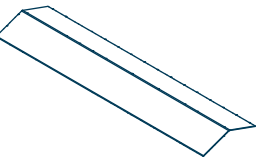
- Width: 1 095 / Length: 2 000 mm
- Thickness: 0.7 mm



#### ECOTOP Universal white or grey

Ridge cap / corner flashing cap / front plate in PVC adaptable to any angle, depending on the pitch and shape of the roof.

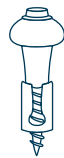
- Dims.: 150 x 150 / Length: 1 200 mm
- Thickness: 2 mm



#### ECOTOP Fix

Fixing kit consisting of a stainless steel screw with integrated polyethylene spacer and sealing clamping washer

- For wooden supports 4.8x50 mm
- For steel supports 5.5x50 mm
- Drill Ø 10 mm to pre-drill plastic



## RENOLIT ECOTOP GRECA 70x18

Colour: WHITE or GREY

Roof kit in bi-stretched PVC

#### RENOLIT Ondex SaS

Avenue de Tavaux  
21800 Chevigny-Saint-Sauveur  
FRANCE  
Tel +33 (0)3 8046 8006

commercial.ondex@renolit.com

#### RENOLIT Tecno Imac srl

Via della Stazione Aurelia 185  
00165 Roma  
ITALIA  
Tel +39 06 66.41.71.41  
Fax +39 06 66.41.81.43  
info@tecnomac.com  
www.tecnomac.com



RMARK FLYER EG FR  
GB 19 928  
06/2023



vinyl plus



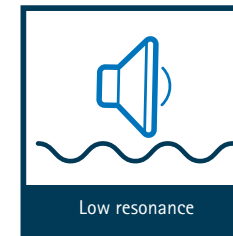
Rely on it.



Rely on it.



Shock resistance

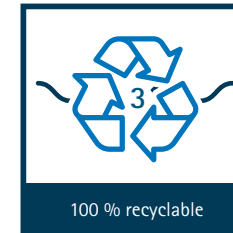


Low resonance

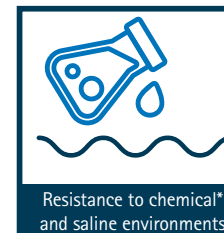


B s1 d0

Does not spread fire  
self-extinguishing

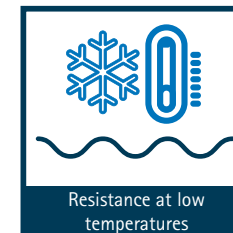


100 % recyclable

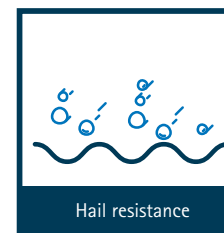


Resistance to chemical\*  
and saline environments

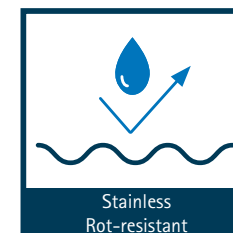
\*List upon request



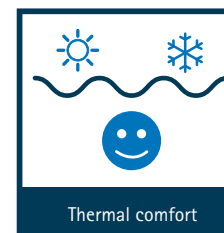
Resistance at low  
temperatures



Hail resistance



Stainless  
Rot-resistant



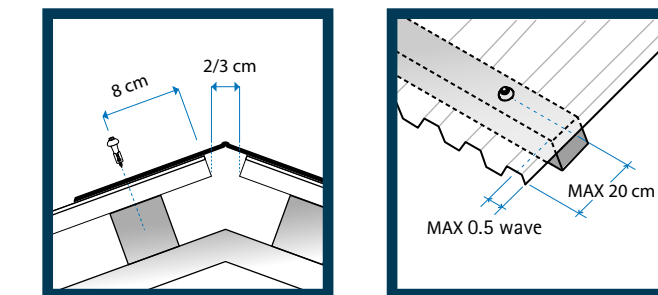
Thermal comfort



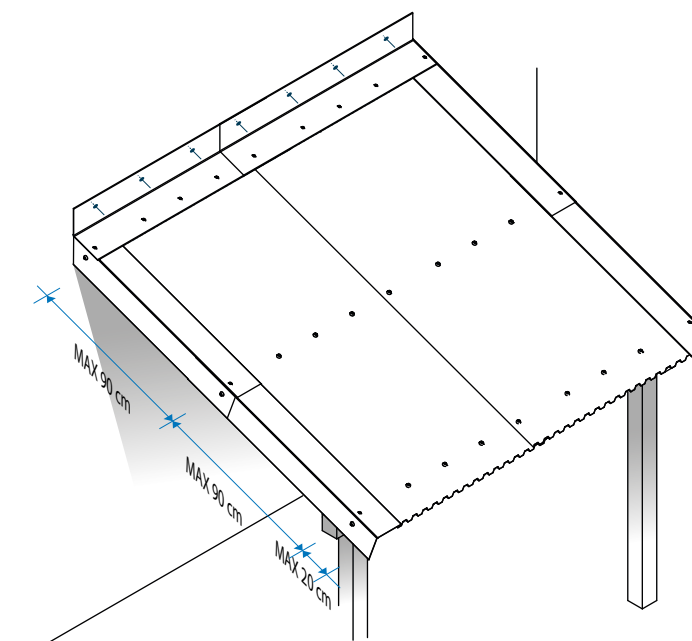
Over 50  
years' experience

## SAFETY

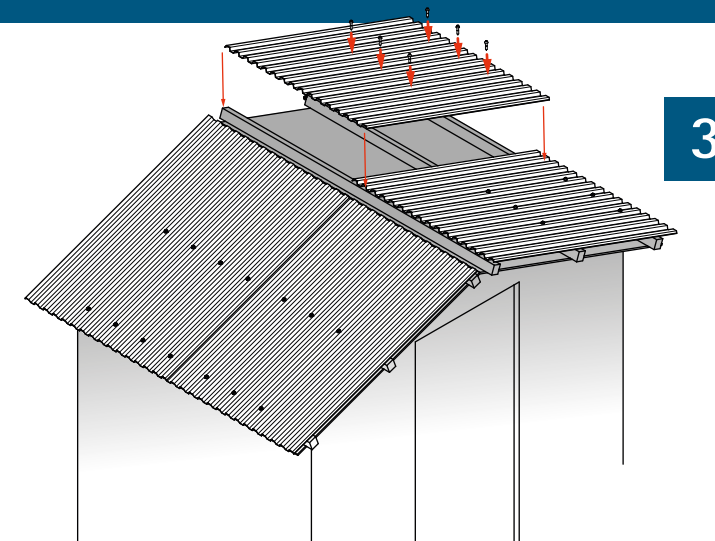
- Never leave the sheets unattended as long as all the screws are not in place.
- Never leave the sheets unattended on the ground without ballasting them to prevent them from being blown away.
- Never walk or stand on the sheets.
- Use cut resistant gloves



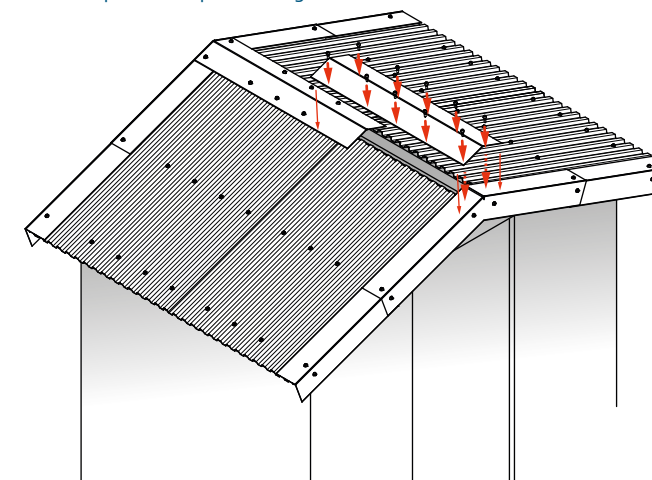
Wall mounting



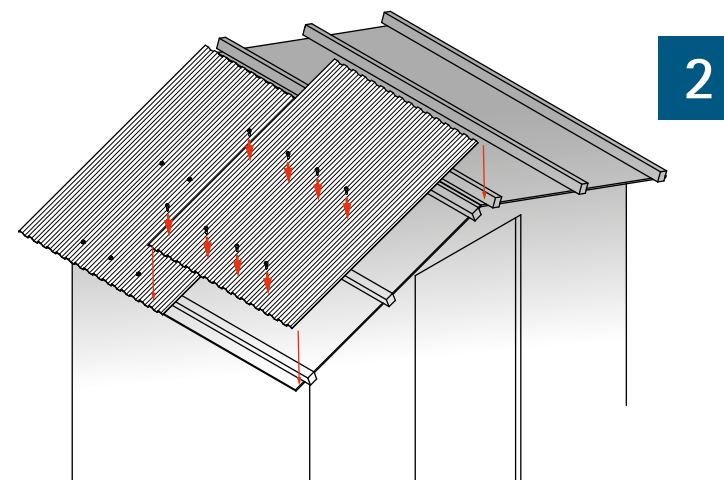
The fixing distribution and installation procedures are the same, whether for a roof or a canopy.  
The ECOTOP universal accessory can also be used as a wall flashing by fixing it to the masonry with suitable screws (not supplied).  
A perfect impermeability between the wall and the flashing cap can be ensured by fitting a silicone or butyl seal (not supplied).



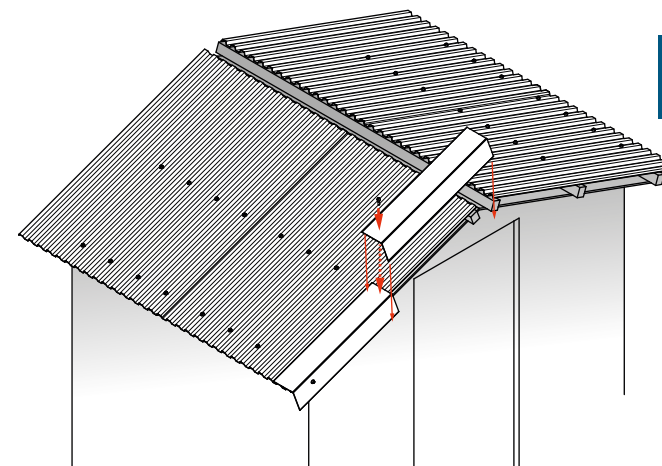
Place and fix the roofing sheets by fixing them to their supports without putting the fixings on the outer ends. These should be positioned at the same time as the ridge cap / corner flashing cap or front plate fixings.



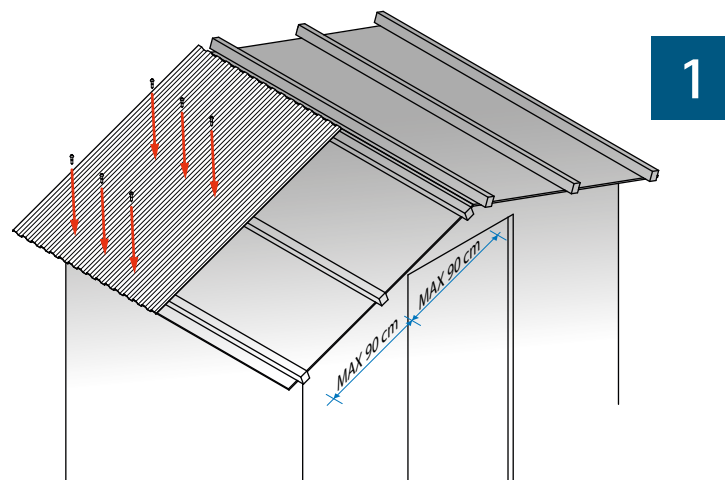
The overlap is achieved by overlapping the corner flashing caps and fixing them together to the wall or support.  
The overlap between the ridge caps should be between 10 and 35 cm depending on the pitch of the roof.  
A transparent silicone seal can be applied through compression between both ridge caps to ensure a complete impermeability at the junction between the elements.



Place the second sheet so that it overlaps 2 waves of the first fixed sheet.  
Use the same fixings distribution starting with the first purlin and then the central one.



The front plates have to be fixed on the support.  
Continuity of the ridge caps or front plates is achieved by a 20 cm overlap between the wall flashings or front plates and by distributing the fixings.  
The lateral front plates have to be fixed.



The first fixings are to be put at the top of the waves No. 5, 8 and 11.  
The wave on the edge (the one on the side) will be fixed when the lateral front plates are installed.  
For a 2 m long sheet 3 supports placed 90 cm max. away from each other are required.

- Ridge purlin (at the top)
- Intermediate purlin (central)
- Eaves purlin (at the bottom)

The fixings for a potential gutter have to be put prior to the laying of the sheets on the roof.  
The overhang of the sheet beyond the last ridge purlin has to be approx. 8 cm to leave a 2 to 3 cm space between the sheets of both roof slopes to facilitate ventilation and allow the free expansion of the roof.  
The overhang of the bottom sheet will be 12 cm from the fixing axis.  
Fix the first sheet starting with the fixings on the first purlin and then on the central one.  
The last screws will be put when the ridge cap is fixed. At this point the sheet will be completely anchored.

**CUTTING OF THE SHEETS AND CORNER FLASHING CAPS / RIDGE CAPS**  
Using a plastic cutting disc or a fine-toothed disc for a clean cutting of plastic sheets.

**CAUTION:**  
NEVER USE A JIGSAW OR A LARGE-TOOTHED DISC TO CUT THE SHEETS AND THE ECOTOP UNIVERSEL (Ridge cap / corner flashing cap / front plate).